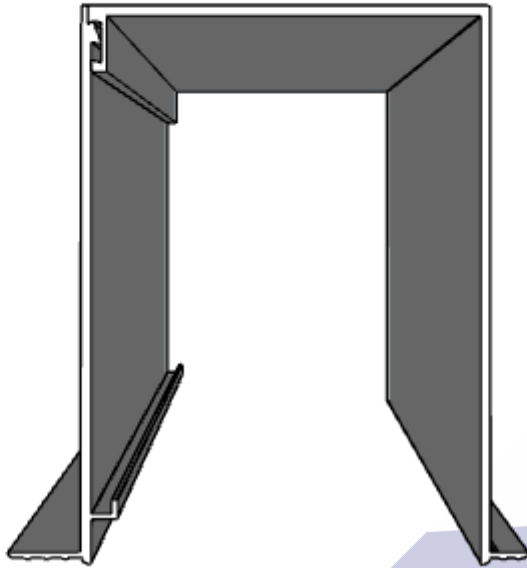


PerfectFit Mud In Pocket Max Instructions

Congratulations on your purchase of a specialty system from Motorized Solutions.
If you have any questions, please call technical support at 1-866-446-6867
or email us at info@motorizedsolutions.com



Important Notes - Please Read Before Installing

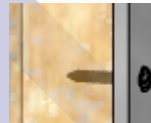


CAUTION: RISK OF FALLING OBJECTS

Securely install the system per the mounting instructions. Failure to do so could result in injury.



All mounting surfaces must be level.



Perfect Fit and hardware are to be anchored into wood blocking. If wood blocking is not available, you must use appropriate fasteners (not included) to support the weight of the system and load.



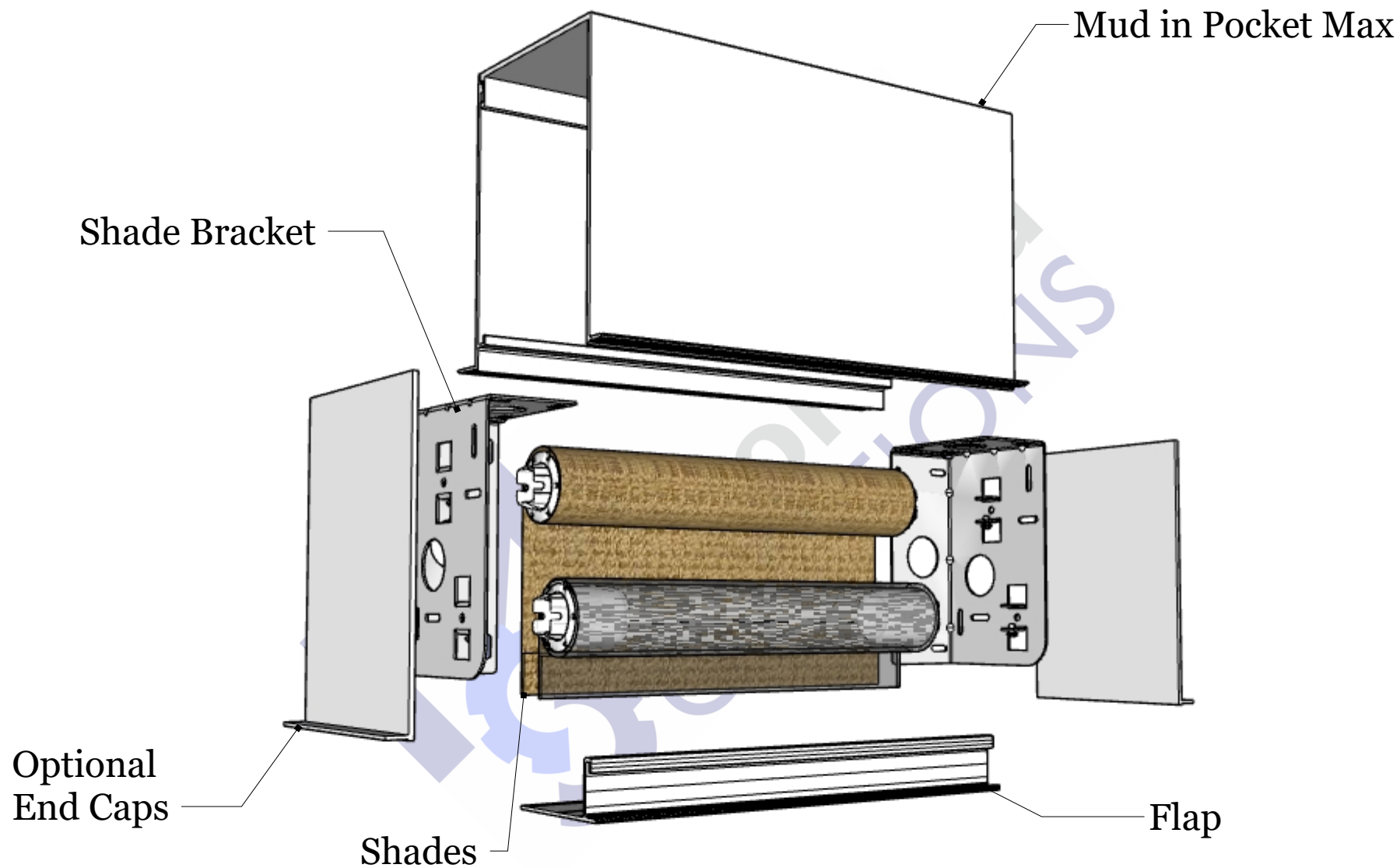
Pre-drill all holes with the appropriate size bit.

TOOLS REQUIRED

Pencil, Tape Measure, Powered Screwdriver, Drill, Level, Rasp, Drill bits, Clamps.



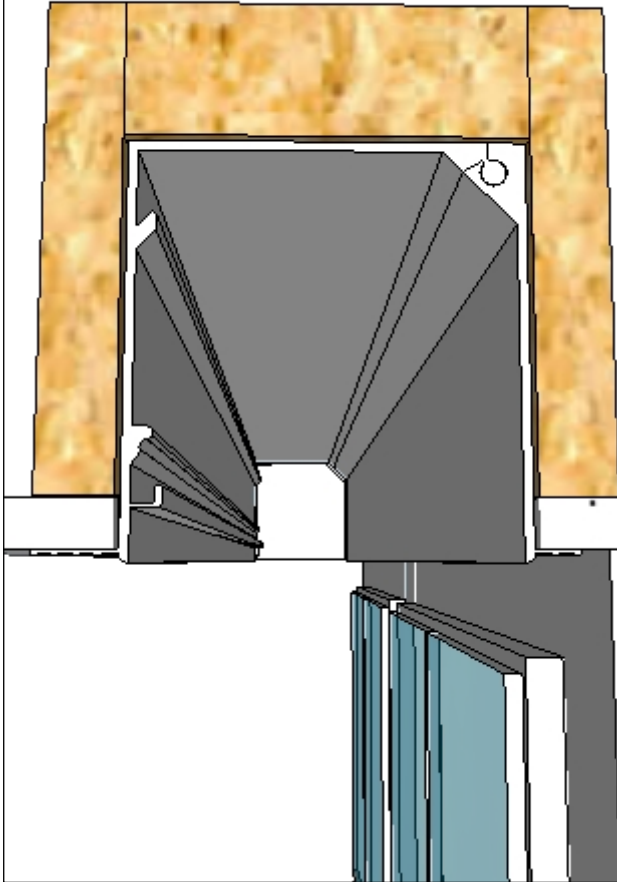
Mud in Pocket Max Exploded View



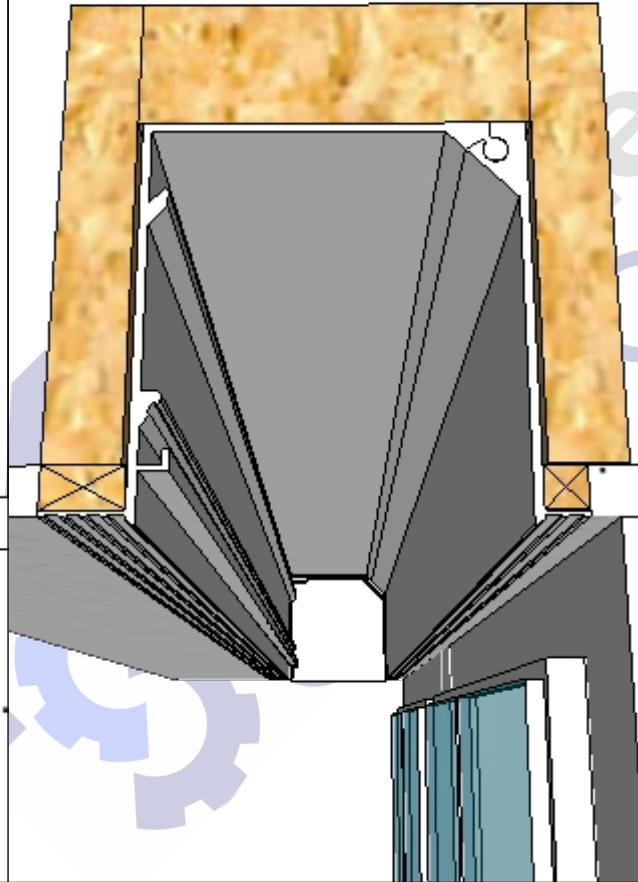
Step 1. Determine Your Construction Method

There are three methods to preparing the drywall and framing for recessed pockets. Although all three methods are acceptable, Option 1. is the most widely used.

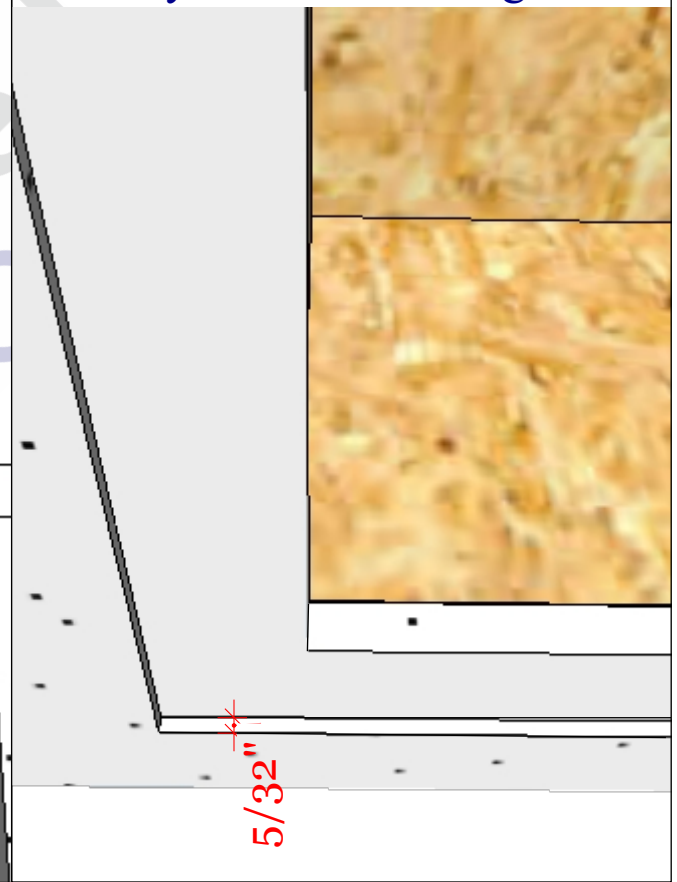
Option 1. Surface Mount



Option 2. Drywall Short



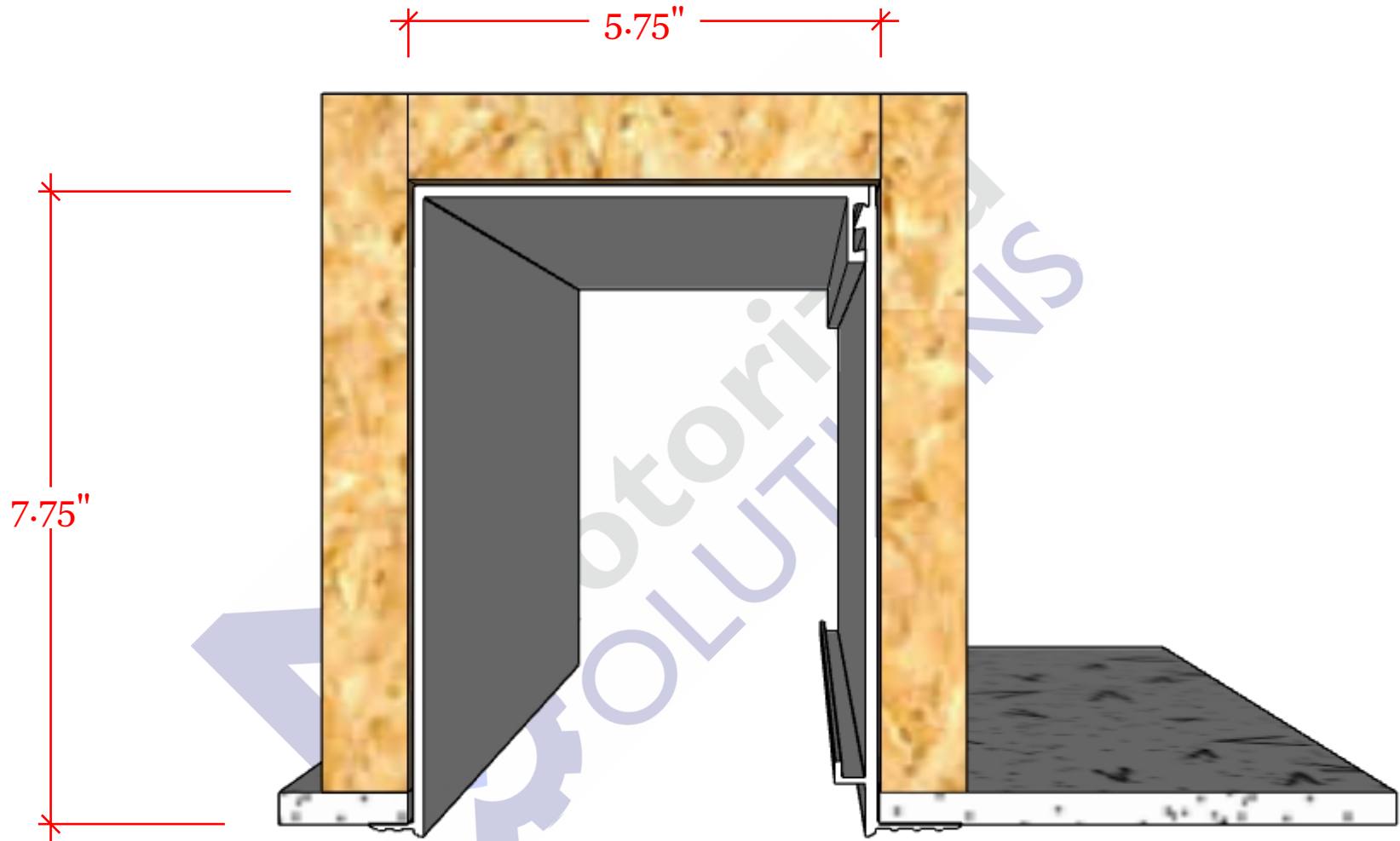
Option 3. Thinning drywall at mud flanges.



*Note - The images above may not depict your mud in product ordered.

Step 2. Minimum Cavity Dimensions

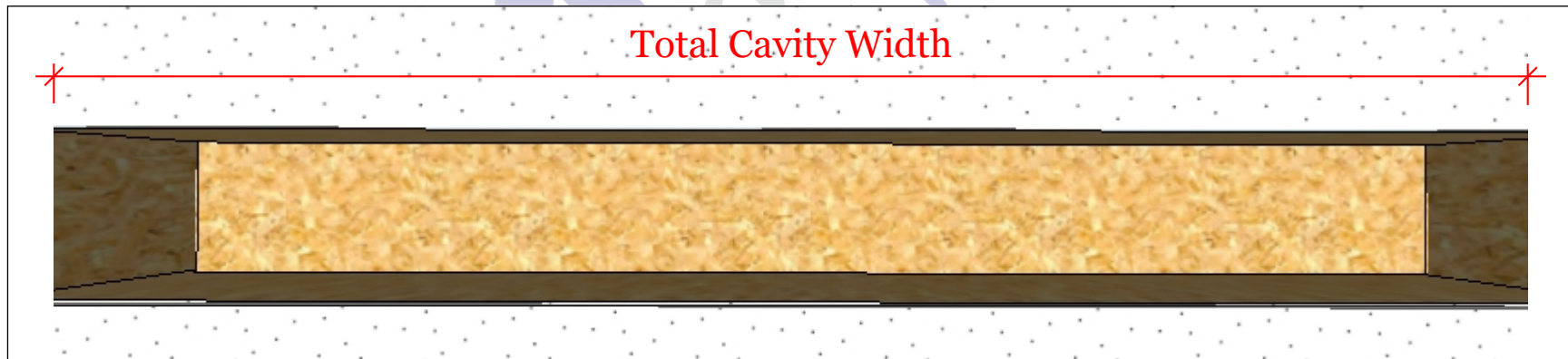
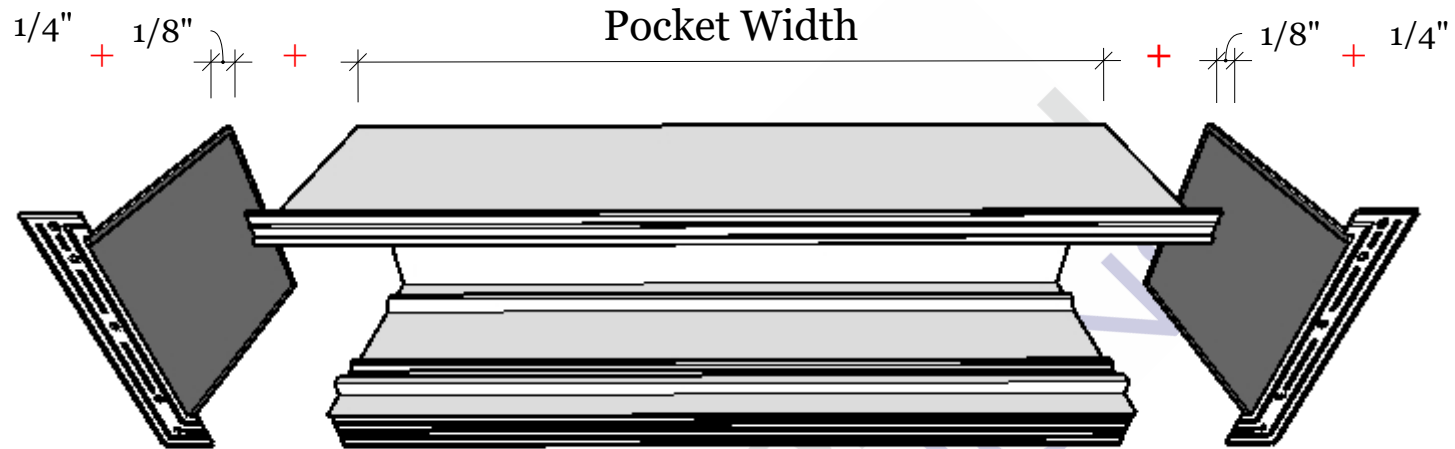
Construct the framing cavity wide and tall enough to accept Mud in Pocket Max.



Step 3. Determine Your Cavity Width

The minimum cavity width is the bracket to bracket shade width, plus the end caps.

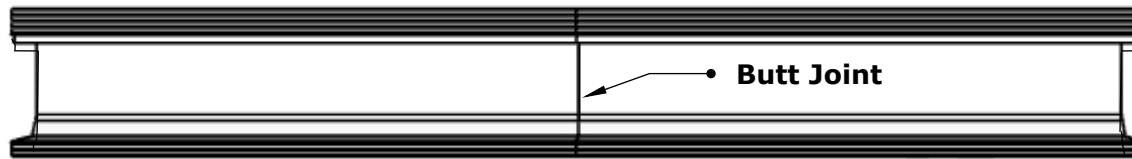
Note - It is recommended that an additional 1/2" (1/4" per side) is added to allow the pocket to fit in out of square cavities.



Pocket Connections Options

Mud in Pocket connects seamlessly once mud in. There are three joint methods.

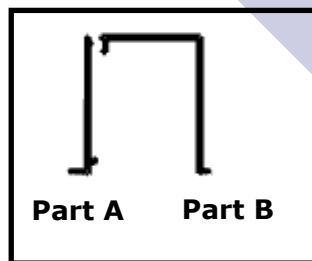
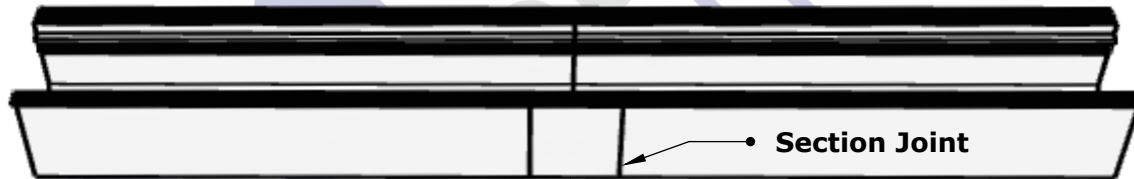
Option 1. Butt Joint



Option 2. Staggered Joint



Option 3. Section Joint

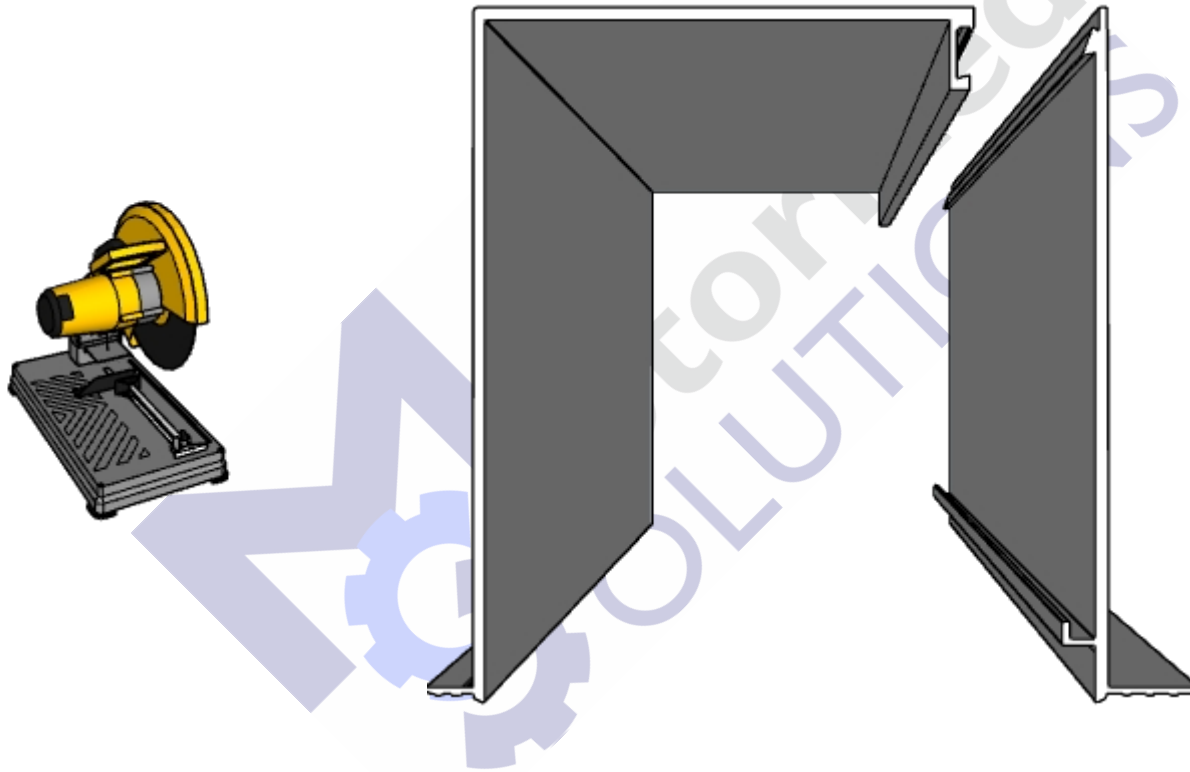


• Insert a 24" section to offset the seam at the joint in the pocket.

• Cut a 24" section of Part A

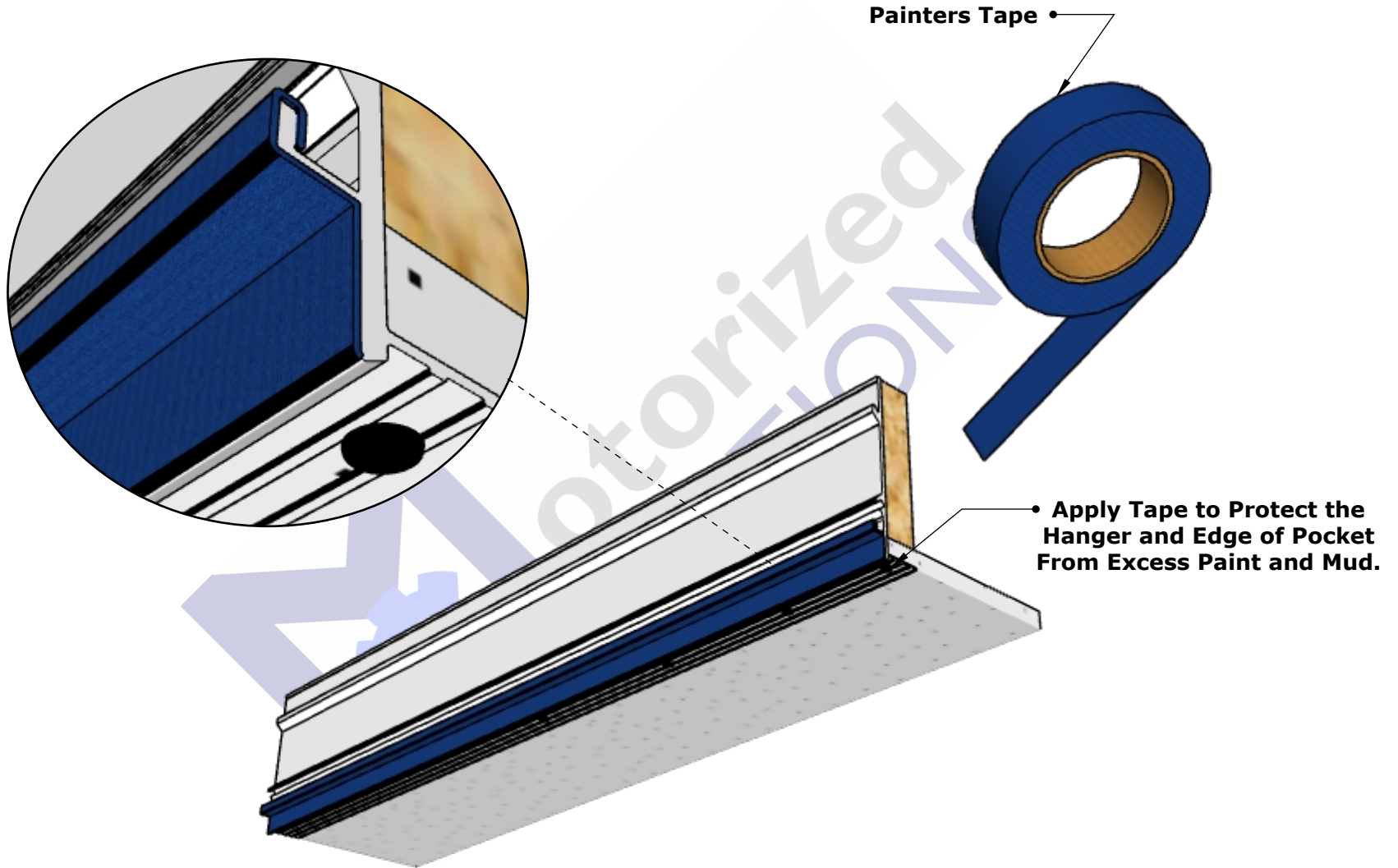
Step 4. Cut Mud in Pocket Max

Cut the width of the pocket to size, taking in account the thickness of the end caps and allowances.



Note

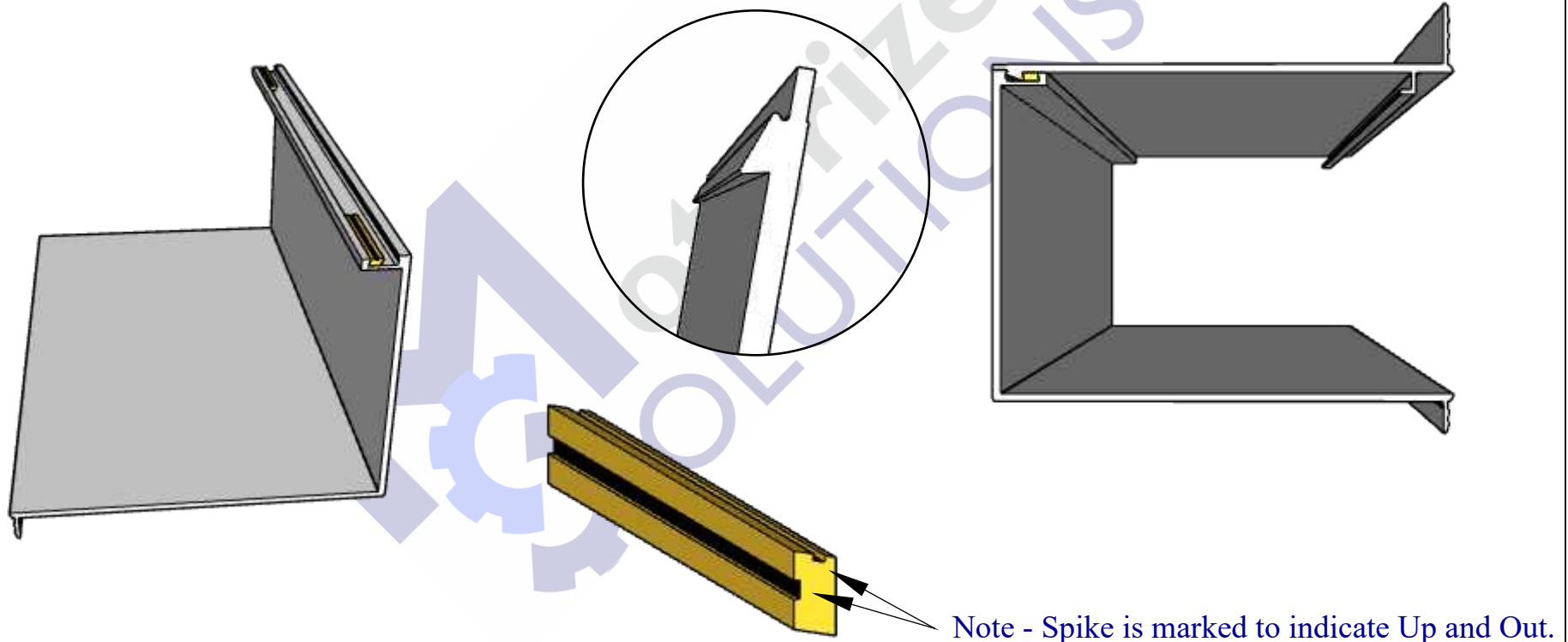
Excess paint or drywall compound buildup can alter the flap's angle, making installation difficult. To prevent this, we recommend applying blue painter's tape to the surfaces where the flap makes contact during mudding, sanding, and the first coat of painting.



Step 5. Assemble The Pocket

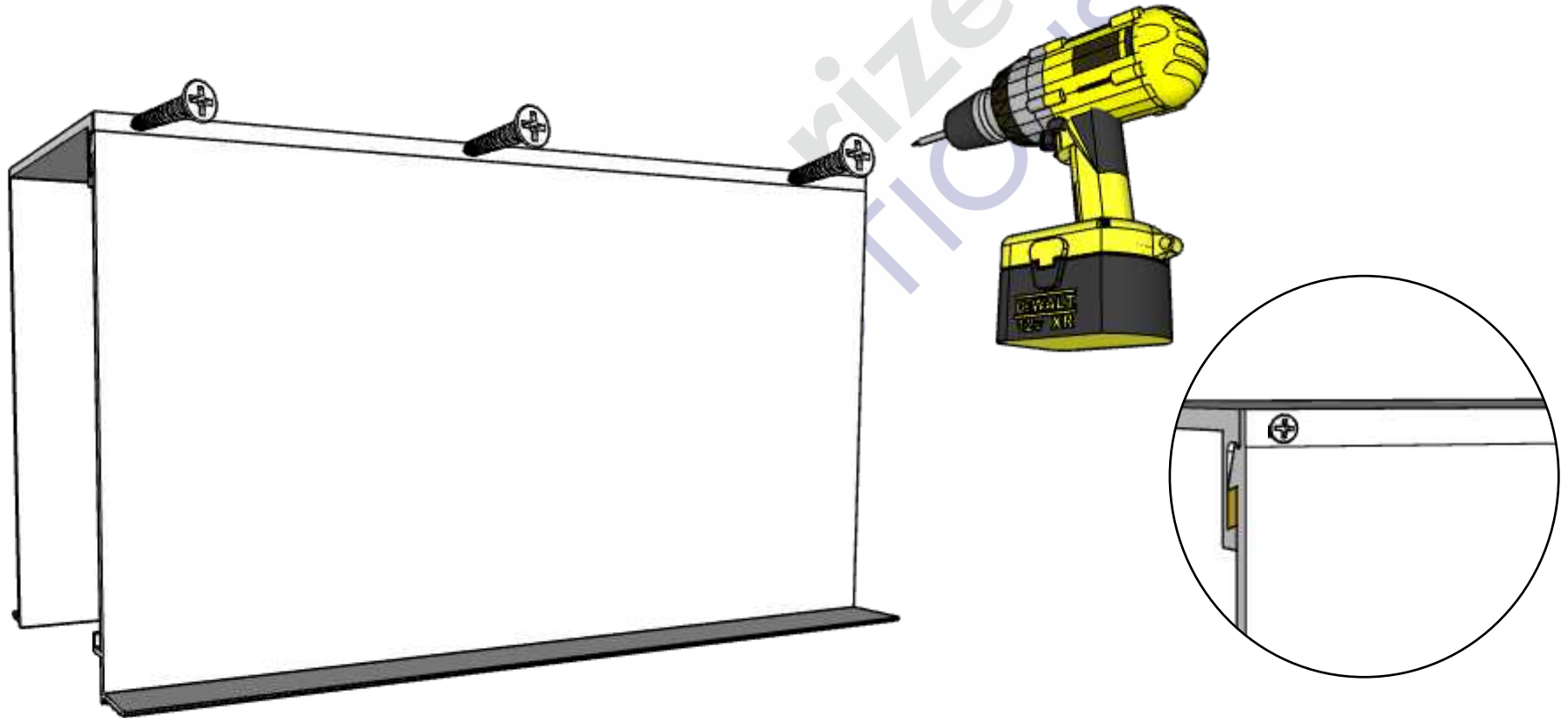
1. Lay the large side of Max on its side.
Insert a Spike at each end.

2. Connect the two sections of Mud in Pocket Max
together and twist to lock in place,



Step 5A. Assemble The Pocket

3. Insert a screw (provided) at the top inset area at each end and one spaced no more than 20" apart..
Pre-drill the hole using a 3/32" drill bit. Counter sinking of the screws is suggested.

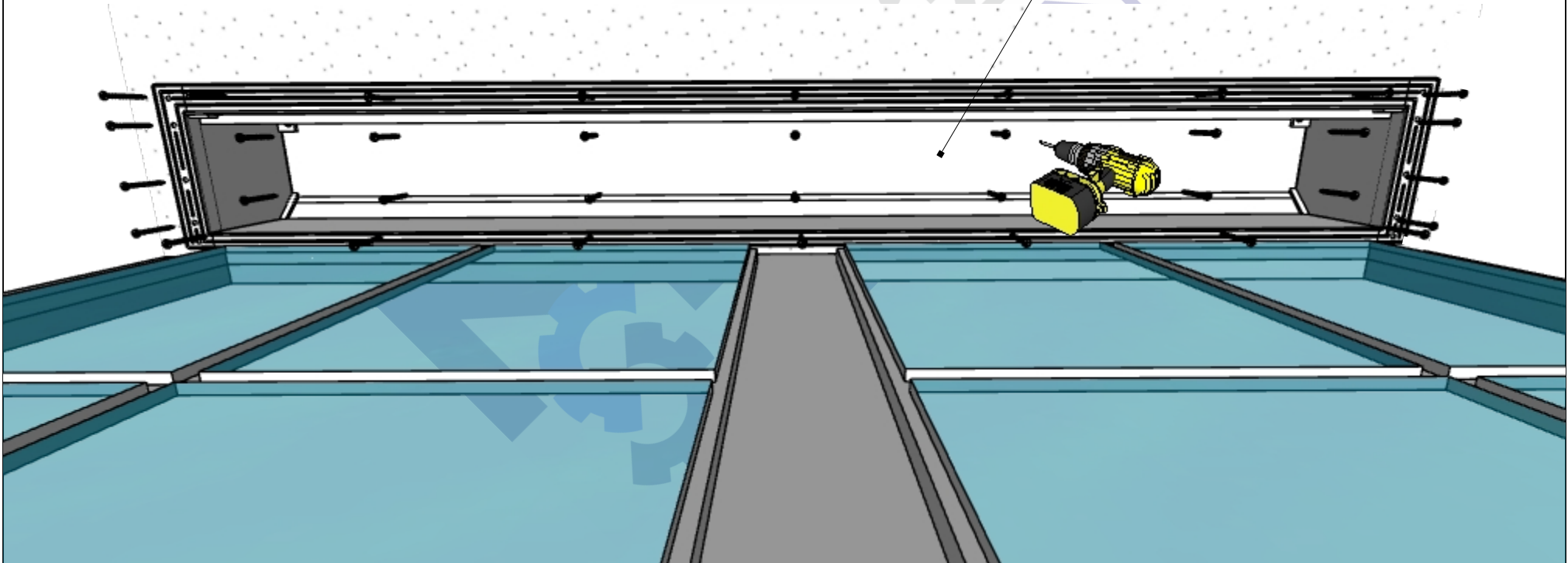


Step 6. Anchor the Pocket

Place the pocket assembly into the prepared cavity.

Countersink and install screw anchors into blocking at the flanges and top surface of the Mud in Pocket.

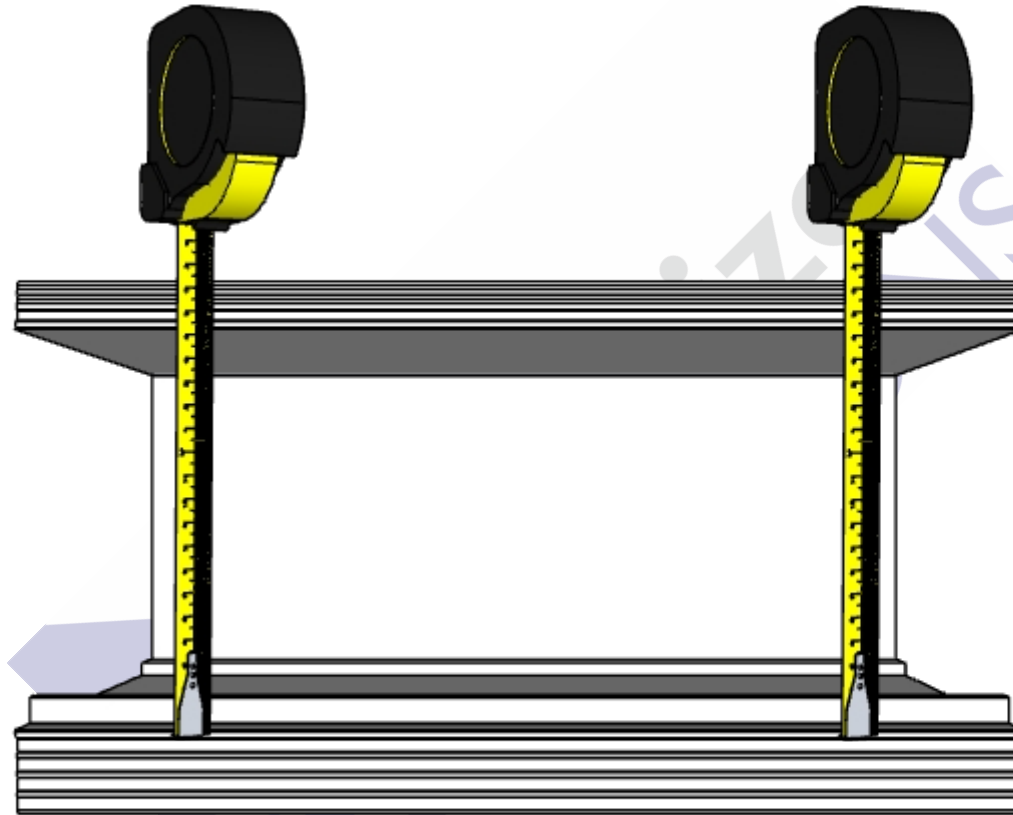
Avoid using anchors in the center 2" area of the pocket to ensure the fabric will not make contact with a screw head.



PerfectFit

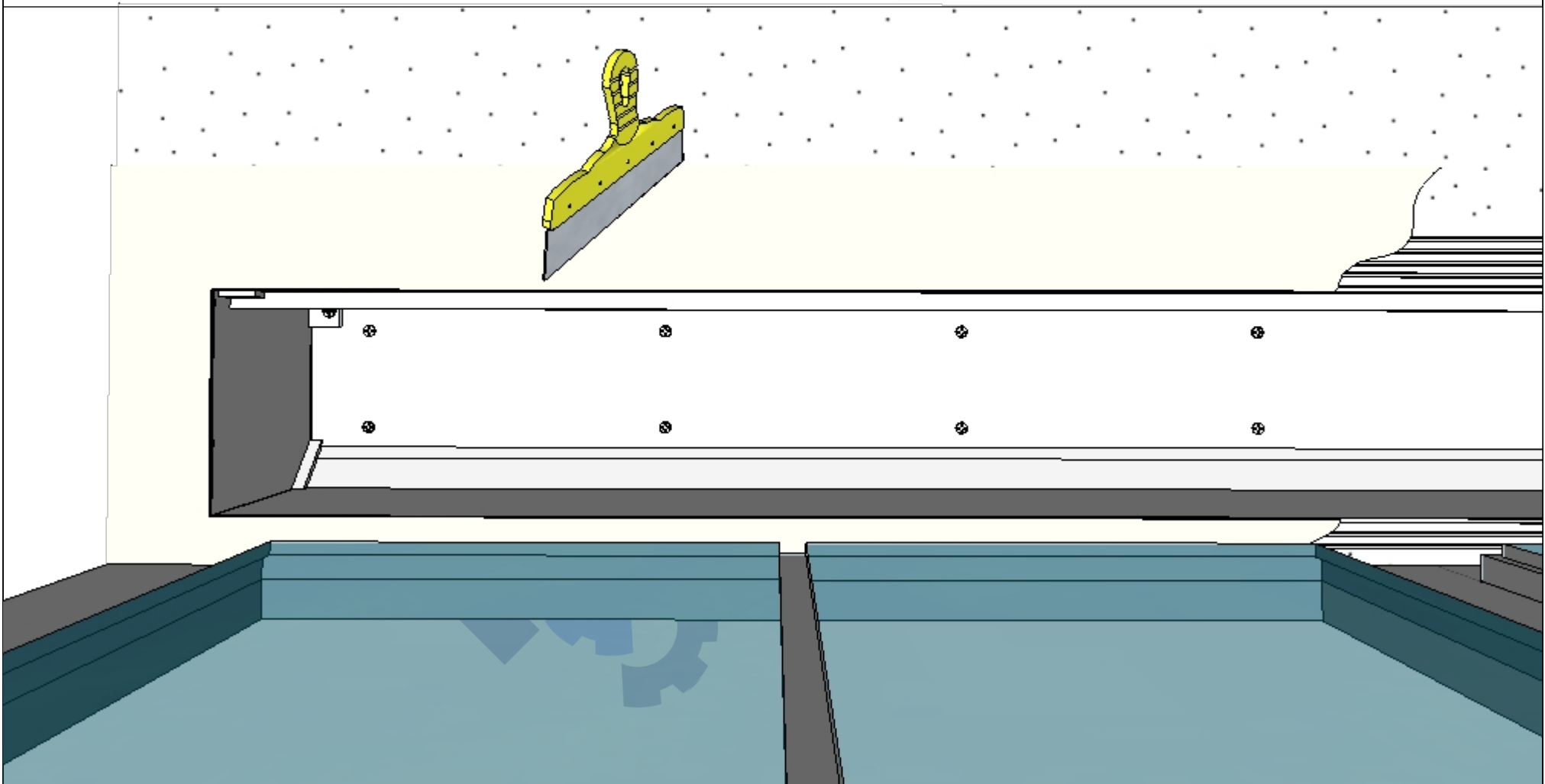
Confirm Squareness

Measure your cavity to confirm it is square.
The mud flange side of the cavity should match the dimensions at the top.



Step 7. Mud The Flanges

Mud over the flanges using the appropriate size trowel (10" recommended).
Sand and paint the ceiling surface and the entire assembly.

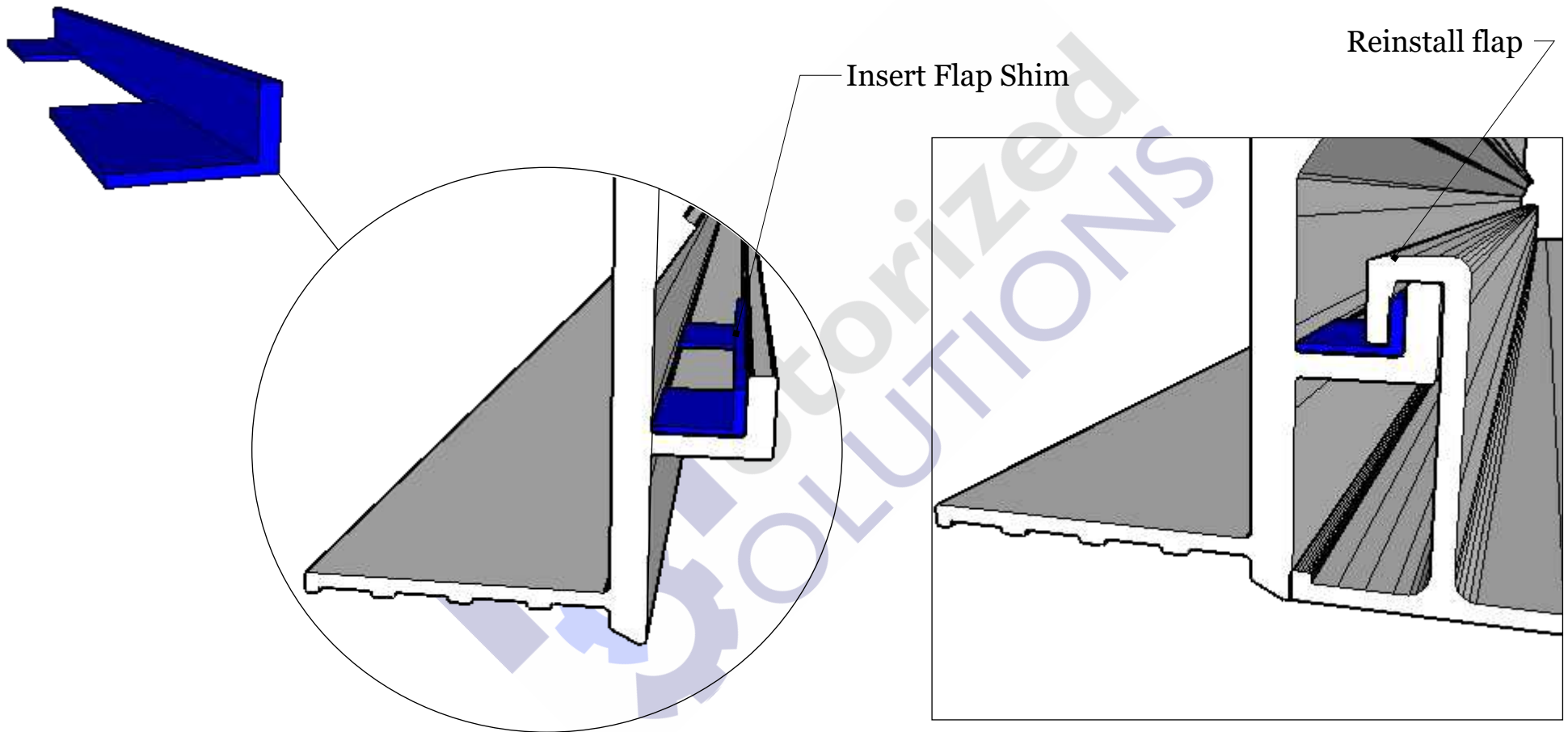


Level The Flap (if required)

Mud in Pocket Max was designed to allow 1/16" of paint thickness and mud to overlap the inside of the pocket. The thickness of the overlap will affect the angle of the flap.

To fine tune the angle of the flap, use the provided Flap Shims.

Insert the Flap Shims at each end of the pocket and in the center to level the flap.



Programming Guides

Please scan the QR code or click the link below to be forwarded to the programming guides for instructions on how to set the upper and lower limits, assigning controls, etc.



Use the QR code above to access the instruction guide from a smart device.

[Click Here](#)

Use the link above to access the instruction guide from an electronic device.

